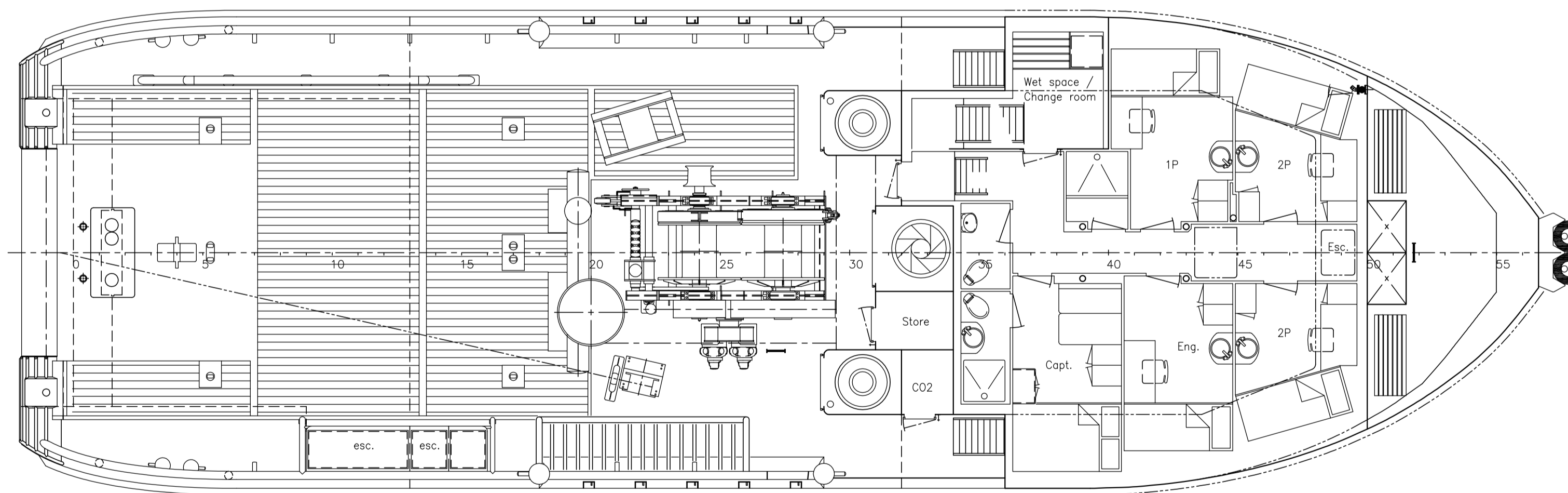
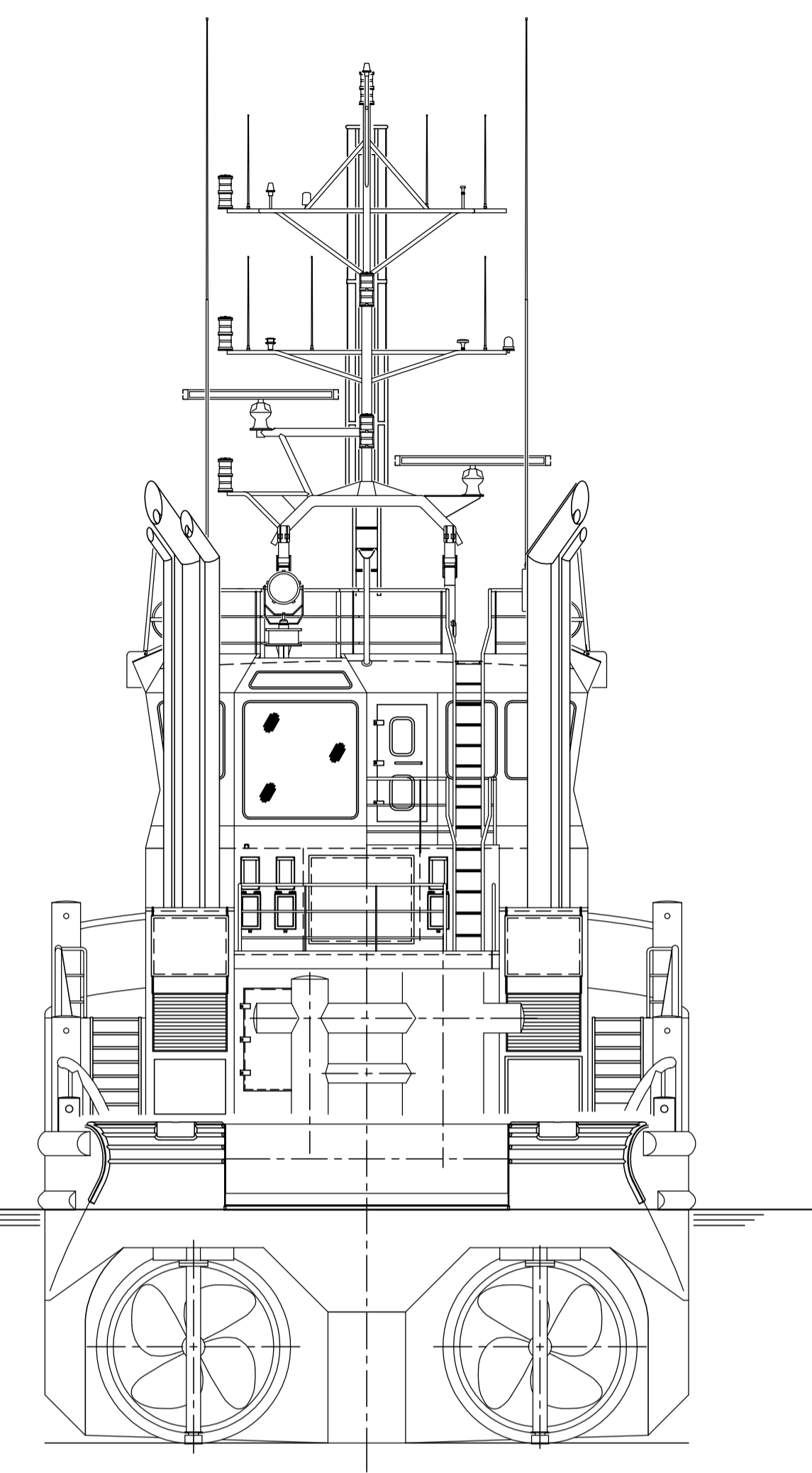
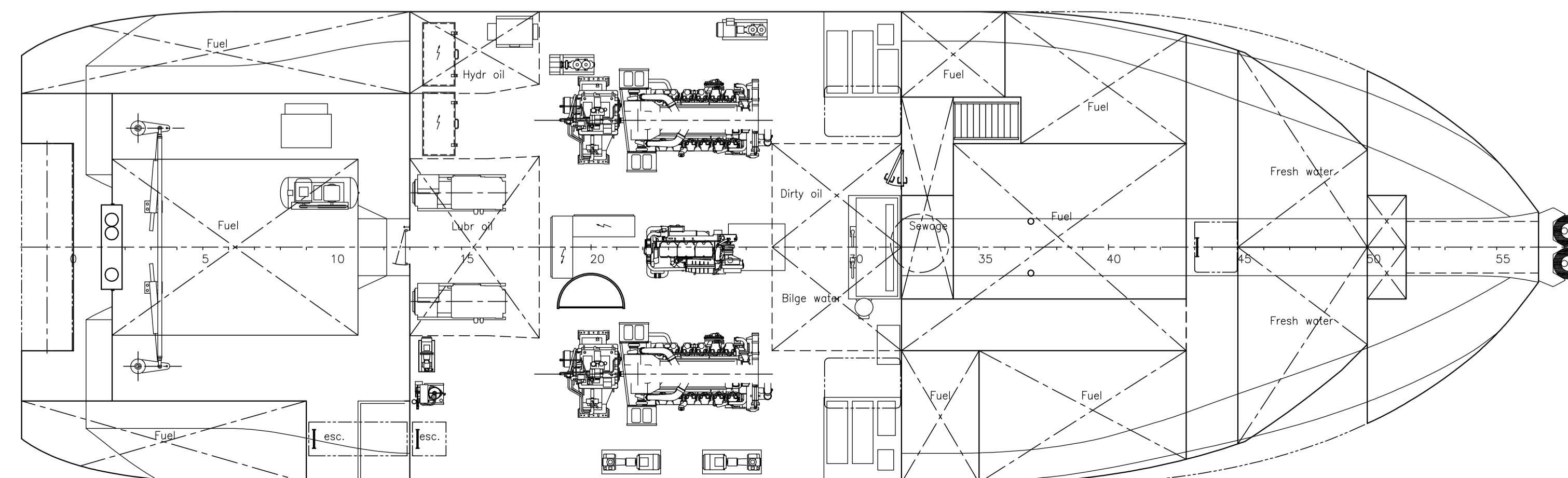


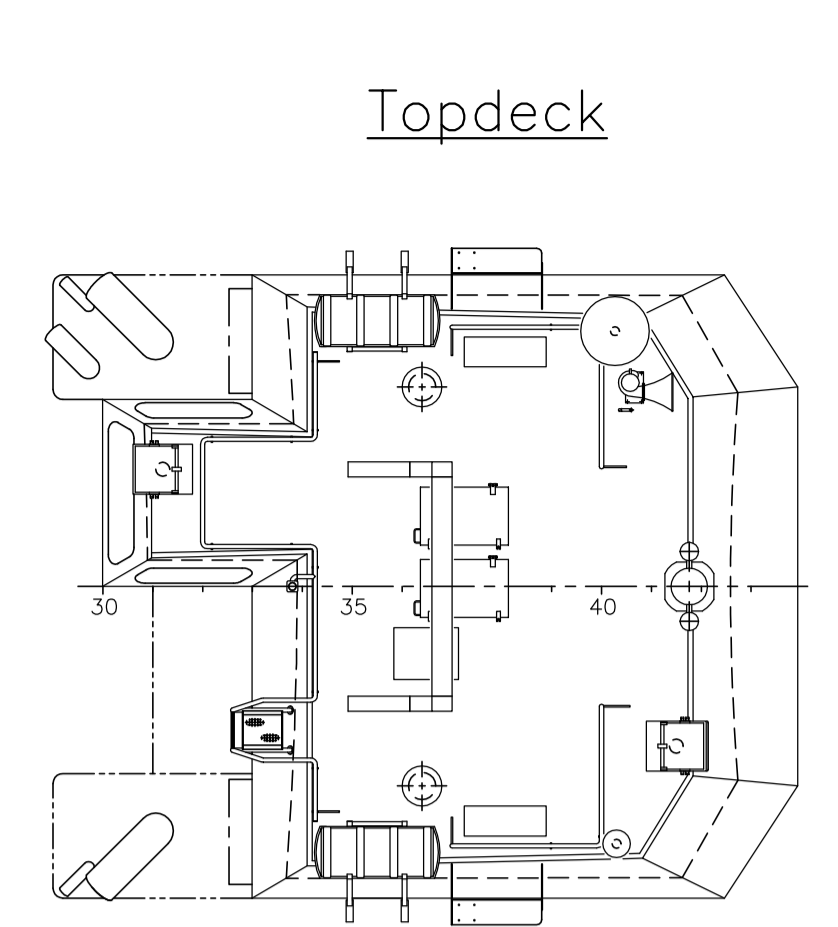
Maindeck



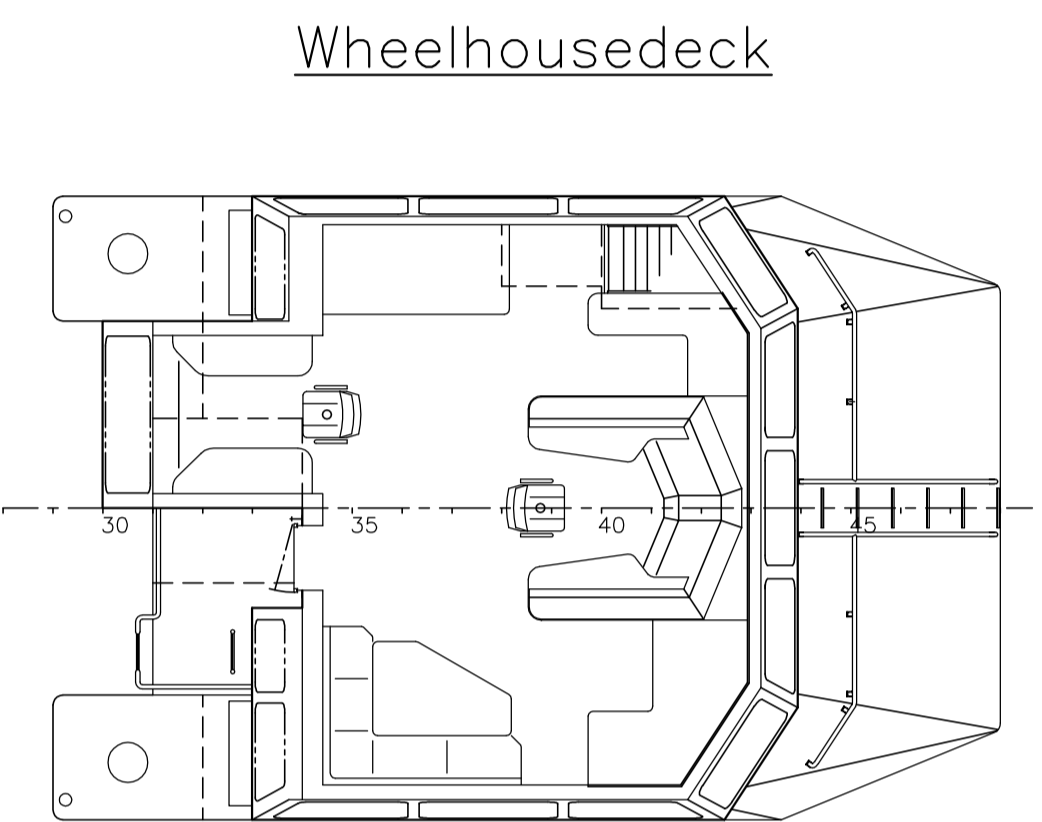
Below maindeck



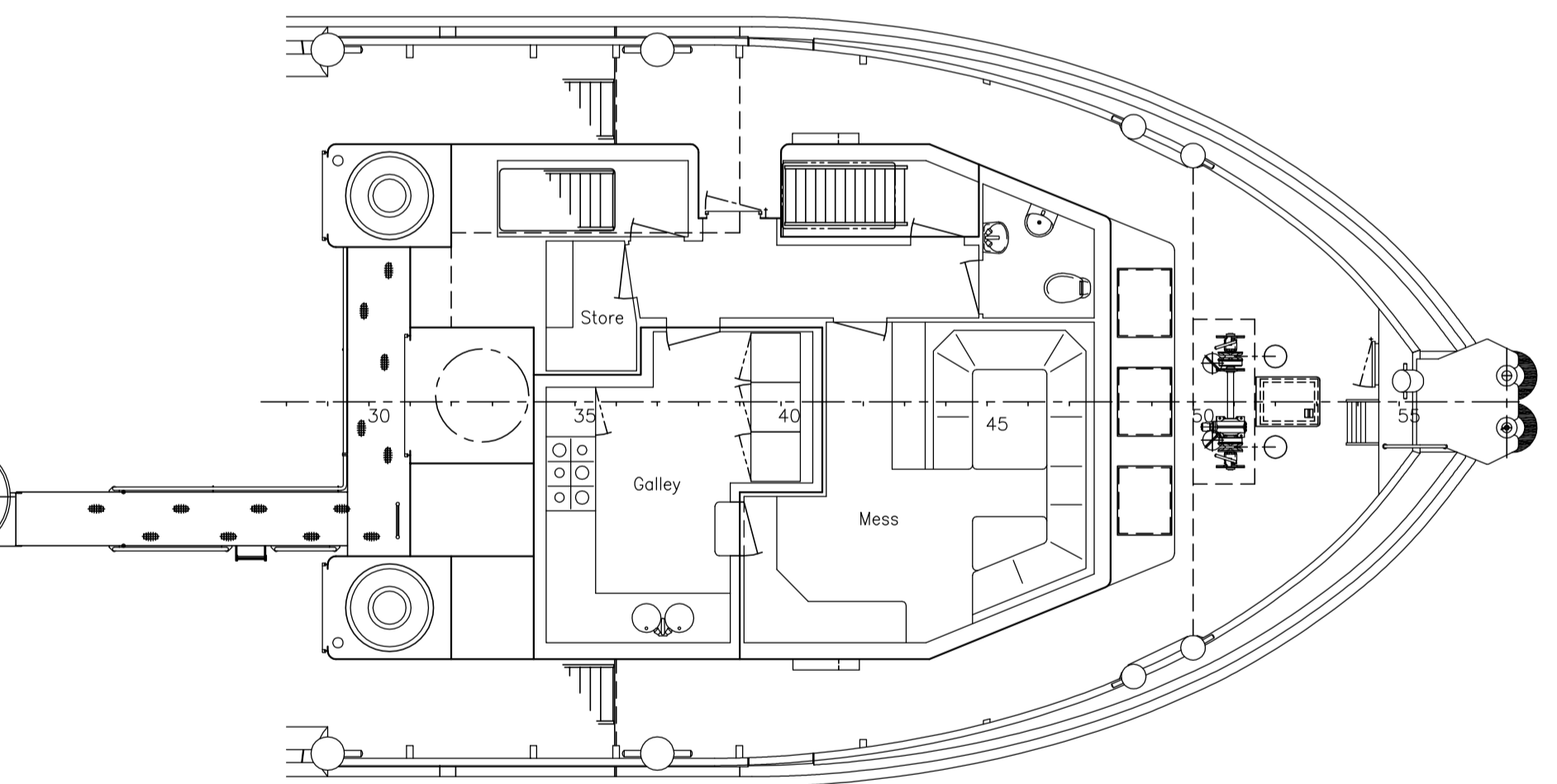
Forecastledeck



Topdeck



Wheelhouse deck



PRINCIPLE CHARACTERISTICS

LENGTH oa	30.08 mtr.
LENGTH mid	29.38 mtr.
LENGTH loadline	27.99 mtr.
BEAM mid	9.10 mtr.
DEPTH 1/2L	4.40 mtr.
DRAFT	3.20 mtr.

C 100309	Nadreon	Misc.changes
B 201107	Nadreon	Misc.changes
A 011107	Nadreon	Misc.changes
rev. date	name	revision subject
inspected	date	
<p>DAMENSHIPYARDS HARDINXVELD</p> <p>Rivierdijk 544 P.O. Box 60 3370 AB Hardinxveld-Giessendam</p> <p>Tel. : 0194.613088 Telefax 0194.617793</p>		
<p><i>Shoalbuster 3009</i> GENERAL ARRANGEMENT</p>		
drawn:	Nadreon 2518	date: 3010'07 scale: 1:75 A1
checked:	571617	ident. to drag. no.:
yard no.:	571617	derived fr. drag. no.:
<p>The information and data contained herein are proprietary to Damen Shipyards Hardinxveld and are not to be copied, reproduced, duplicated or disclosed to others, in whole or in part without prior written consent of Damen Shipyards Hardinxveld.</p>		
<p>drag. no. 571617-000-001</p>		

